



48 POSSIBLE VARIATIONS

NEW 72" BLADE LENGTH

NEW BLADE FINISHES

Irene 3

Timeless Craftsmanship

A seamless blend of rustic warmth and modern elegance, the Irene-3 ceiling fan is a statement of refined simplicity. Its three beautifully crafted blades—available in matte black, matte white, walnut, light maple, gray ash, or barn wood tones—are meticulously joined to create a harmonious balance of nature and design. A sleek, spherical motor housing enhances its streamlined silhouette, exuding both sophistication and warmth. Expertly constructed from cast aluminum and heavy stamped steel, the Irene-3 is built to endure, carrying a limited lifetime warranty.



Shown:

IR3-BK-LM-60 Matte Black Finish, with 60" Light Maple Tone Blades



Shown:
IR3-BK-BK-52 Matte Black Finish, with 52" Matte Black Blades



IR3-TB-BW-42
 Textured Bronze Finish,
 with 42" Barn Wood Tone Blades



IR3-TB-WA-52
 Textured Bronze Finish,
 with 52" Walnut Tone Blades



IR3-TB-GA-60
 Matte Black Finish,
 with 60" Gray Ash Tone Blades



IR3-BK-WA-72
 Matte Black Finish,
 with 72" Walnut Tone Blades

PRODUCT FEATURES

- AC Motor
- Wall Control
- Silent Motor
- Damp Location
- Handheld Remote
- 30° 30° Slant Ceiling Canopy
- 60° Optional 60° Slant Mount

FAN FEATURES

- Blades (3)**
 - 15° Pitch (42", 52", 60")
 - 16° Pitch (72")
 - CNC Cut Solid Wood
- Overall Drop** 12in / 30cm +
downrod length
- Fan Weight** 17 lbs
- Downrod Lengths**
 inches: 5, 10, 18, 24, 36, 48, 60, 72
 centimeters: 13, 25, 46, 61, 92, 122,
 153, 183
Field cuttable, Non-threaded
- Downrod Diameter** 1 inch
- Fan Diameter** inches: 42, 52, 60,
 or 72 / centimeters: 107, 132, 152,
 or 183
- Voltage** 110 or 220

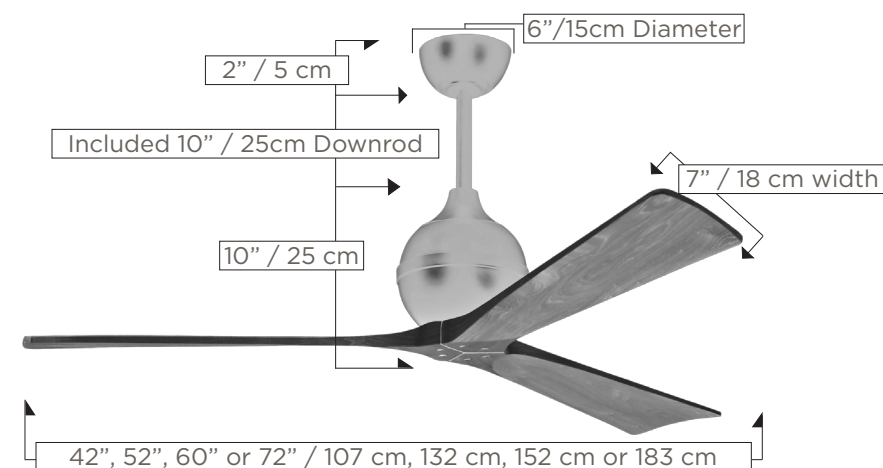
MOTOR FEATURES

- Motor Type** DC
- Ambience** Silent
- Safety Certification** ETL / CETL
- Warranty** Limited Lifetime

DOE MOTOR EFFICIENCY DATA

- RPM (Low/High)**
42in - 52 / 267
52in - 51 / 191
60in - 52 / 150
72in - 49 / 109
- CFM (Low/High)**
42in - 541 / 4907
52in - 1531 / 6641
60in - 2088 / 7370
72in - 3443 / 8224
- Watts (High)**
42in - 17.08
52in - 32.12
60in - 31.67
72in - 32.97
- CFM/Watt (High)**
42in - 160
52in - 214
60in - 253
72in - 279

TECHNICAL SPECIFICATIONS



SKU BUILDER

IR3-XX-XXX-XX
 (Model+Finish+Blade+Diameter)

FAN FINISHES

48 POSSIBLE VARIATIONS

Fan Finishes **Blade Finishes**
 42", 52", 60", 72"

BK Matte Black	BW Barn Wood Tone
TB Textured Bronze	GA Gray Ash Tone
	LM Light Maple Tone
	BK Matte Black
	MWH Matte White
	WA Walnut Tone

STANDARD EQUIPMENT



Handheld Remote
 - 6 Speed
 - Motor Off
 - Reverse



Wireless Wall Control
 - 6 Speed
 - Motor Off
 - Reverse

*For more information see
 accessory page. 132