



Shown:

LL-TB Textured Bronze Finish

Laura

Effortless Comfort To Any Space

With its graceful left-to-right 90-degree oscillation, Laura delivers a cool, refreshing breeze with whisper-quiet precision, thanks to its advanced DC motor. The patented design allows for seamless remote control operation, offering you complete convenience, while its simple 2-wire installation makes setup a breeze. Compact yet powerful, Laura is ideal for small or awkward spaces, and can be elegantly mounted in front of HVAC ducts to enhance the efficiency of your heating, ventilation, or air conditioning. Crafted from durable cast aluminum and heavy stamped steel, backed by a limited lifetime warranty that ensures peace of mind for years to come.





LL-BK Matte Black Finish



LL-TB
Textured Bronze Finish



LL-BN
Brushed Nickel Finish

PRODUCT FEATURES

- DC Motor
- Unipack Shipping
- Remote Control
- Damp Location
- 90° Rotation

FAN FEATURES

Fan Weight 12 lbs
Blade Material Metal / ABS
Recommended Mounting Height
 Approximately 24 in/61cm from ceiling
Fan Weight 12 lbs
Voltage 110
Fan Guard Safety Cage
Blade Pitch 31°

MOTOR FEATURES

Motor Type DC
Oscillation Yes
Ambiance Soothing White Noise
Safety Certification UL / CUL
Warranty Limited Lifetime

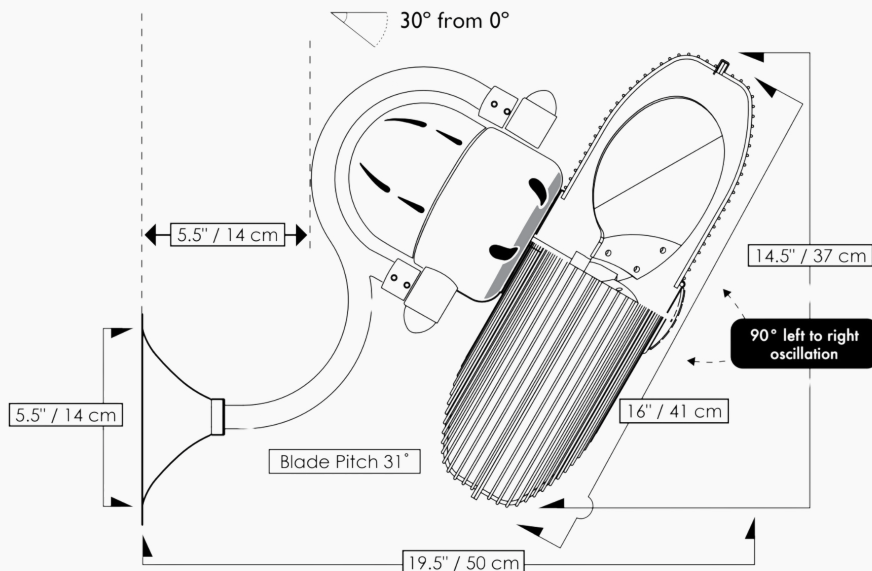
DOE MOTOR EFFICIENCY DATA

RPM (Low/High) 1213 / 1520
CFM (Low/High) 1056 / 1600
Watts (High) 28.1
CFM/Watt (High) 57

FAN DIAMETER

Fan Diameter 16 inches / 41 cm
Fan Height 14.5 inches / 37 cm
Fan Projection 19.5 inches / 50 cm

TECHNICAL SPECIFICATIONS



SKU BUILDER

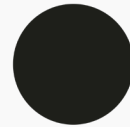
LL-XX
(Model+Finish)

FAN FINISHES

Fan Finishes
Metal Blades



BN
Brushed Nickel



BK
Matte Black



TB
Texture Bronze

STANDARD EQUIPMENT

Safety Cage
Wall Mounting Bracket



Handheld Remote
 - 3-speed
 - Oscillation On/Off

**For more information see accessory page. 132*